

## FEATURES

- High gain indoor/outdoor antenna
- Magnetic base desktop mount
- Supports all bands across 2G/3G/4G/5G
- Wide frequency range (695 MHz to 4800 MHz)
- Compatible with Telstra's 4GX and Optus' 4G Plus networks
- Carrier aggregation ready
- Perfect protection against extreme weather conditions
- Pole or wall mount, with stainless steel mounting brackets included
- 9 dBi peak gain
- 4.5 m terminated with SMA-M connector (using the magnetic base)

## Multiband 5G Antenna 3G+4G+5G Desktop Mount (ANT-LTE-006A-DSK)

The Comset ANT-LTE-006A-DSK 3G/4G/5G Multiband Indoor/Outdoor Omni Antenna, provides an innovative and future proof solution for 3G, 4G and 5G networks. With a peak gain of 9 dBi, and a wide frequency range from 695 MHz to 4800 MHz, it supports all bands across 2G, 3G, 4G and 5G networks – including Telstra's new 4GX and Optus' 4G Plus networks on the 700 MHz B28 bands.

The Comset ANT-LTE-006A-DSK features a zinc alloy element inside the solid ABS radome, meaning it is able to survive in extreme weather conditions.



The antenna is designed for wall, pole or desktop mounting, and comes with stainless steel mount brackets and U bolts for your convenience. A magnetic base stand, suitable for desktop mounting, is also supplied. The magnetic base is fitted with a RG58 4.5M cable terminated with a SMA-M connector.

# Specifications

## MODEL

- ANT-LTE-006A-DSK

## ELECTRICAL DATA

### Frequency

- 695 MHz to 4800 MHz

### Operational Bands

- 2G/3G/4G/5G

### Gain

- 6.13 dBi @ 698-803 MHz
- 6.56 dBi @ 824-894 MHz
- 6.95 dBi @ 880-960 MHz
- 8.55 dBi @ 1710-1880 MHz
- 7.56 dBi @ 1850-1990 MHz
- 8.10 dBi @ 1920-2170 MHz
- 9.50 dBi @ 2490-2700 MHz
- 9.23 dBi @ 3400-3600 MHz
- 8.33 dBi @ 4000-4800 MHz

### Polarisation

- Vertical

### Voltage Standing Wave Ratio

- <2

### Horizontal Beamwidth

- 360°

### Vertical Beamwidth

- 25°

### Lightning Protection

- Direct Ground

### Impedance

- 50 Ω

### Max Input Power

- 100 W

### Radiation

- Omni

## MECHANICAL DATA

### Radome Material

- ABS

### Radiating Element Material

- Zinc alloy

### Colour

- White

### Height

- 25 cm (without bracket)

### Weight

- 0.5 kg (without magnetic base)

### Working Temperature

- -40 °C to +70 °C

## MOUNTING DATA

### Fixing

- Wall mount
- Mast mount
- Desktop mount

### Mounting Bracket

- Magnetic mount
- Stainless steel U bolt brackets

### Hold Pole Diameter

- Ø30 - Ø50 mm

### Cable

- 4.5 m

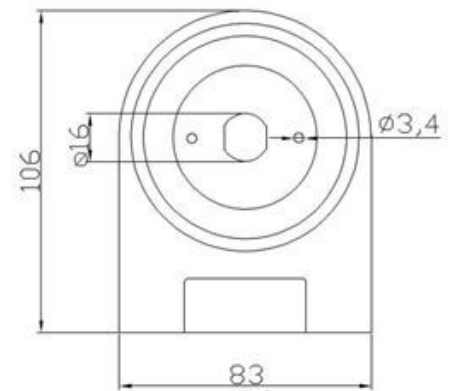
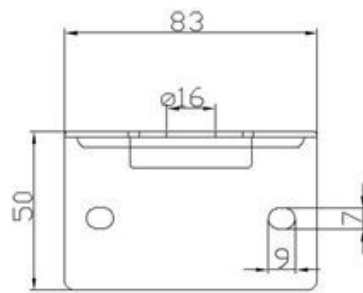
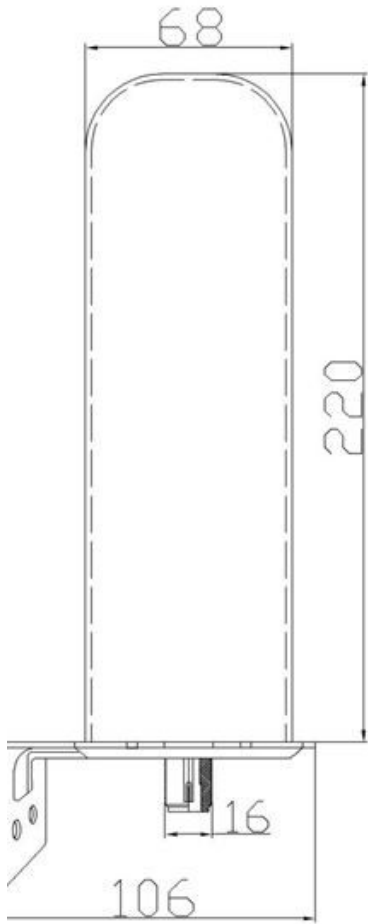
### Connector

- SMA male

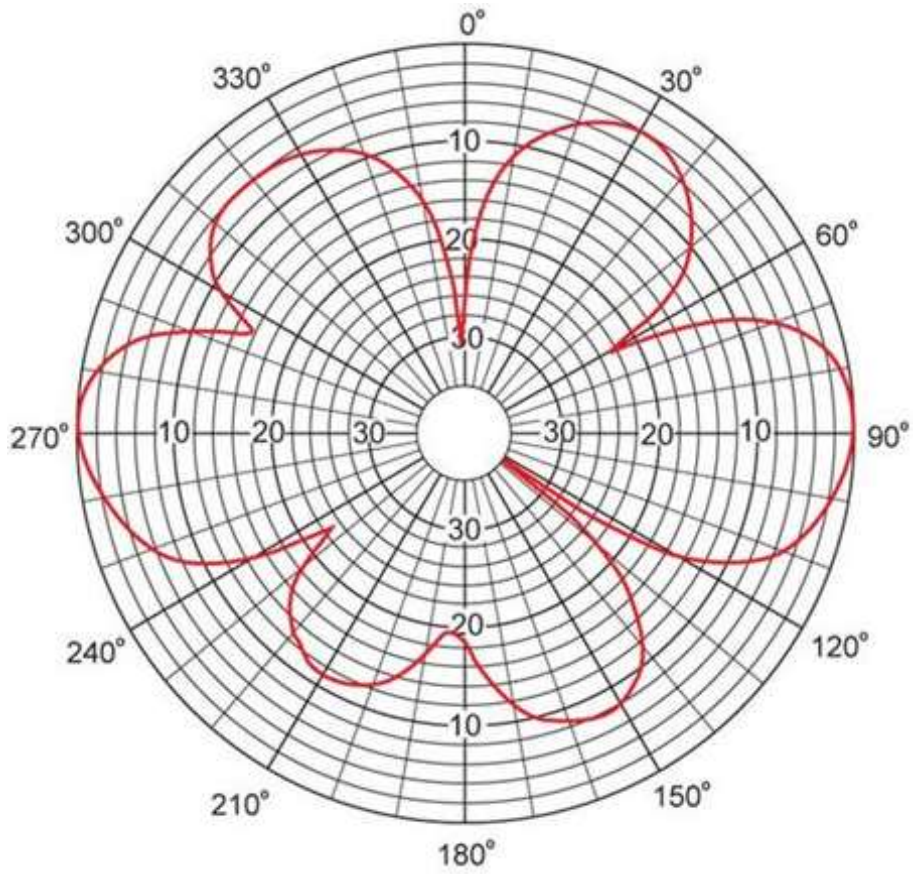
## NETWORK COMPATIBILITY

Carrier	Frequency (MHz)	Band	Gain (dBi)	Compatible
<i>Telstra (4GX)</i>	700	28	6.13	✓
<i>Telstra 4G</i>	1800	3	8.55	✓
<i>Telstra 4G</i>	2100	1	8.10	✓
<i>Telstra 4G</i>	2600	7	9.50	✓
<i>Telstra 5G</i>	3500	n78	9.23	✓
<i>Optus (4G Plus)</i>	700	28	6.13	✓
<i>Optus 4G</i>	900	8	6.95	✓
<i>Optus 4G</i>	1800	3	8.55	✓
<i>Optus 4G</i>	2300	40	8.10	✓
<i>Optus 4G</i>	2600	7	9.50	✓
<i>Optus 5G</i>	3500	n78	9.23	✓
<i>Vodafone (4G+)</i>	850	5	6.56	✓
<i>Vodafone 4G</i>	900	8	6.95	✓
<i>Vodafone 4G</i>	1800	3	8.55	✓
<i>Vodafone 4G</i>	2100	1	8.10	✓
<i>TPG 4G</i>	700	28	6.13	✓
<i>TPG 4G</i>	2600	7	9.50	✓
<i>NBN Co</i>	2300	40	8.10	✓

PRODUCT DIMENSIONS



**E-PLANE**



H-PLANE

