

FEATURES

- High gain outdoor antenna
- Supports all bands across 2G/3G/4G/5G
- Wide frequency range (695 MHz to 4800 MHz)
- Compatible with Telstra's 4GX and Optus' 4G Plus networks
- Carrier aggregation ready
- Perfect protection against extreme weather conditions
- Pole or wall mount, with stainless steel mounting brackets included
- 9 dBi peak gain
- N-Female connector (cable not included)

Multiband 5G Outdoor Antenna 3G+4G+5G (ANT-LTE-006A)

The Comset ANT-LTE-006A 3G/4G/5G Multiband Outdoor Omni Antenna provides an innovative and future proof solution for 3G, 4G and 5G networks. It supports all bands across 2G, 3G, 4G, and 5G networks, including Telstra's 4GX and Optus' 4G Plus on the 700 MHz B28 band. It has a peak gain of 9 dBi, and a wide frequency range of 695 MHz to 4800 MHz.



The zinc alloy element inside the solid ABS radome mean the Comset ANT-LTE-006A is able to survive in extreme weather conditions, making it ideal for the harsh Australian environment.

The antenna is designed for wall or pole mounting, and comes with stainless steel mount brackets and U bolts for your convenience. It is also fitted with an N-Female connector, that may be connected to your choice of coaxial cable.

Specifications

MODEL

- ANT-LTE-006A

ELECTRICAL DATA

Frequency

- 695 MHz to 4800 MHz

Operational Bands

- 2G/3G/4G/5G

Gain

- 6.13 dBi @ 698-803 MHz
- 6.56 dBi @ 824-894 MHz
- 6.95 dBi @ 880-960 MHz
- 8.55 dBi @ 1710-1880 MHz
- 7.56 dBi @ 1850-1990 MHz
- 8.10 dBi @ 1920-2170 MHz
- 9.50 dBi @ 2490-2700 MHz
- 9.23 dBi @ 3400-3600 MHz
- 8.33 dBi @ 4000-4800 MHz

Polarisation

- Vertical

NETWORK COMPATIBILITY

Carrier	Frequency (MHz)	Band	Gain (dBi)	Compatible
<i>Telstra (4GX)</i>	700	28	6.13	✓
<i>Telstra 4G</i>	1800	3	8.55	✓
<i>Telstra 4G</i>	2100	1	8.10	✓
<i>Telstra 4G</i>	2600	7	9.50	✓
<i>Telstra 5G</i>	3500	n78	9.23	✓
Optus (4G Plus)	700	28	6.13	✓
Optus 4G	900	8	6.95	✓
Optus 4G	1800	3	8.55	✓
Optus 4G	2300	40	8.10	✓
Optus 4G	2600	7	9.50	✓
Optus 5G	3500	n78	9.23	✓
<i>Vodafone (4G+)</i>	850	5	6.56	✓
<i>Vodafone 4G</i>	900	8	6.95	✓
<i>Vodafone 4G</i>	1800	3	8.55	✓
<i>Vodafone 4G</i>	2100	1	8.10	✓
<i>TPG 4G</i>	700	28	6.13	✓
<i>TPG 4G</i>	2600	7	9.50	✓
<i>NBN Co</i>	2300	40	8.10	✓

Voltage Standing Wave Ratio

- <2

Horizontal Beamwidth

- 360°

Vertical Beamwidth

- 25°

Lightning Protection

- Direct Ground

Impedance

- 50 Ω

Max Input Power

- 100 W

Radiation

- Omni

MECHANICAL DATA

Radome Material

- ABS

Radiating Element Material

- Zinc alloy

Colour

- White

Height

- 25 cm (32 cm with bracket)

Weight

- 0.5 kg

Working Temperature

- -40 °C to +70 °C

MOUNTING DATA

Fixing

- Wall mount
- Mast mount

Mounting Bracket

- Stainless steel U bolt brackets (included)

Hold Pole Diameter

- Ø30 - Ø50 mm

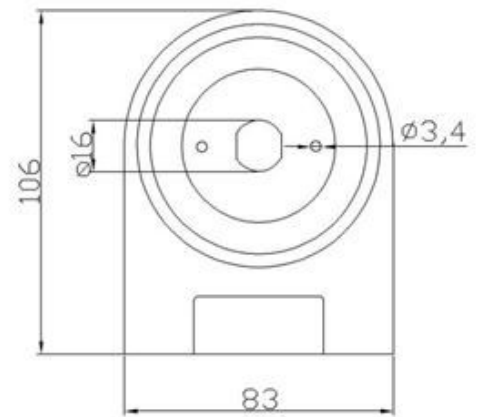
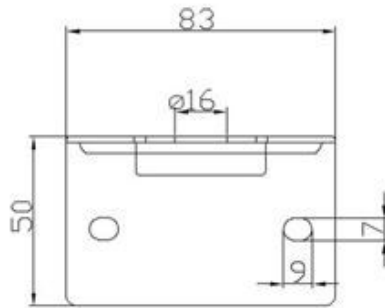
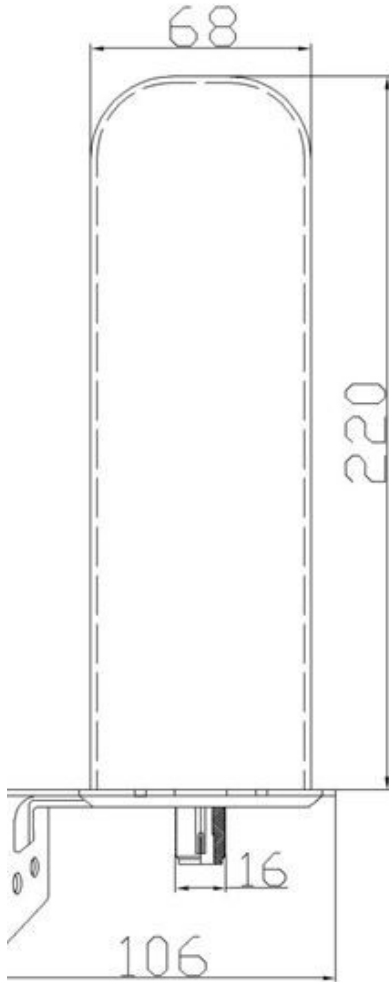
Cable

- Not included

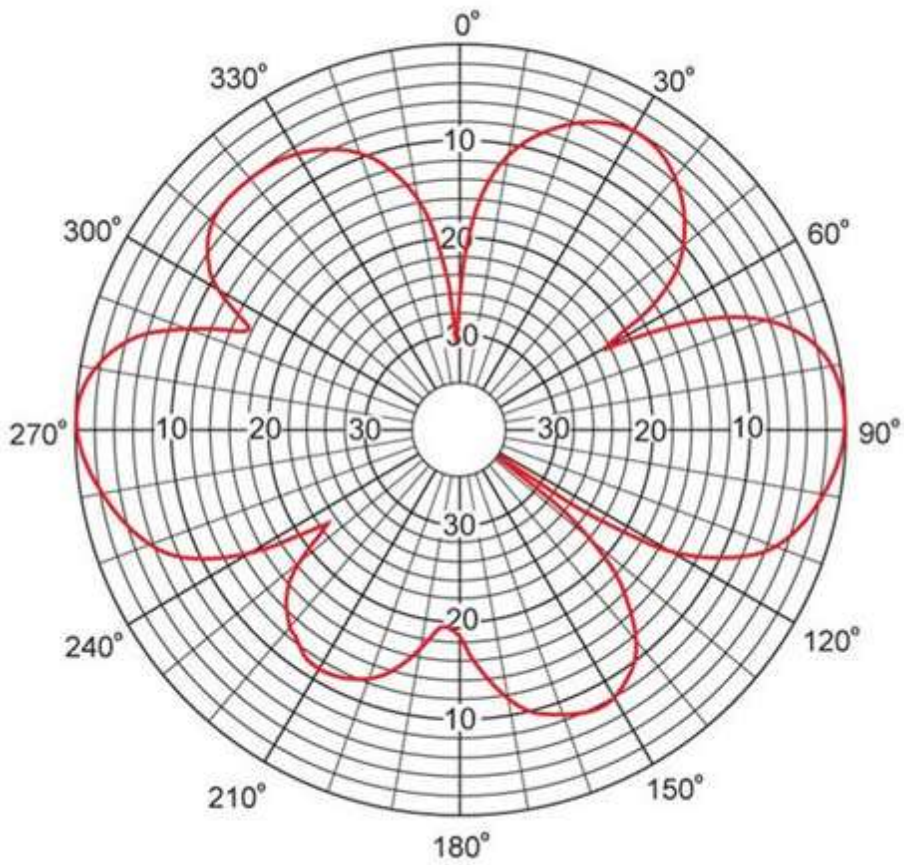
Connector

- N-Female

PRODUCT DIMENSIONS



E-PLANE



H-PLANE

